

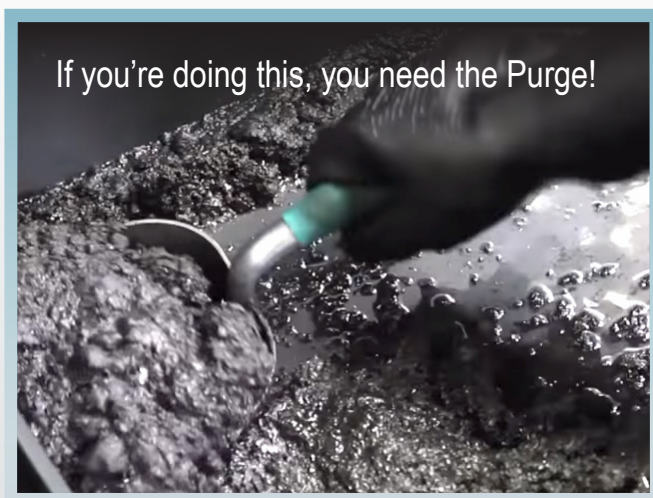
PURGE Advanced Filtration

Full Flow System

Eliminates Common Machining Problems

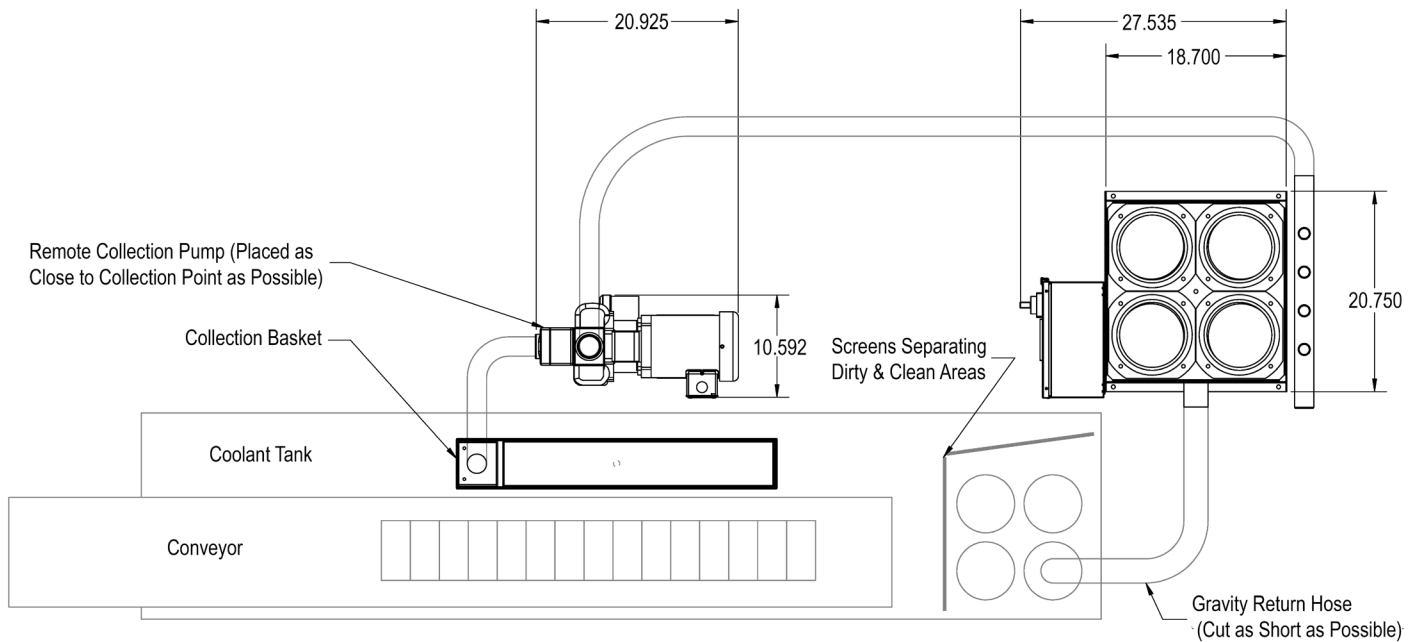
The Purge provides constant, full-flow coolant filtration to prevent small chips and fines from entering the machine tool's coolant tank, where they can clog screens, nozzles and lines, and cause coolant starvation of the machine tool's flood pumps and high pressure coolant system.

The Purge circulates all dirty coolant through its debris collection system where filters catch all debris before returning the ultra-filtered coolant to the machine tool.



Demand Quality. Insist on MP Systems.

PURGE FOOTPRINT - Compact and Efficient

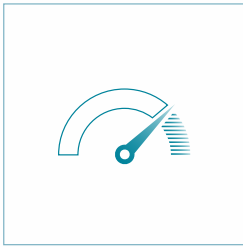


Use with a variety of filtration media

Use any #2, 7"x32" filter media. Use polyester felt bags, pleated paper bags or coarse reusable mesh bags. Bags are readily available from several sources. MP Systems provides 5 µ polyester felt bags at \$4 each. Change all four filters for \$16! No tools are required to change filters, and it can be done while the machine tool is running.

Specs - Purge Advanced Filtration System

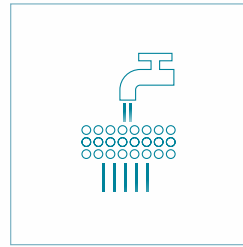
Fluid Control	Variable Frequency Drive
Filtration	(4) #2 7" x 32" Quick change bag filters, pleated paper filter elements or other
Power	230V, 3 HP
Min/Max Flow	30 - 60 GPM
FLA	□Amps
Shipping Weight (lbs)	500



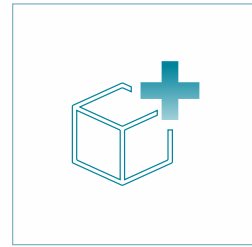
Coolant Systems



Coolant Chillers



Filtration



Accessories

MP Systems designs rugged, dependable high pressure coolant systems and accessories for the machine tool world. MP Systems completely understands the stress points in machining. Our products are designed to minimize machine tool downtime and maximize tool life.

We offer solutions that allow our customers to optimize the most sophisticated machine tools available.



34 Bradley Park Rd., East Granby, CT 06026
(877) 689-1860 | mpteam@mp-systems.net | www.mp-systems.net