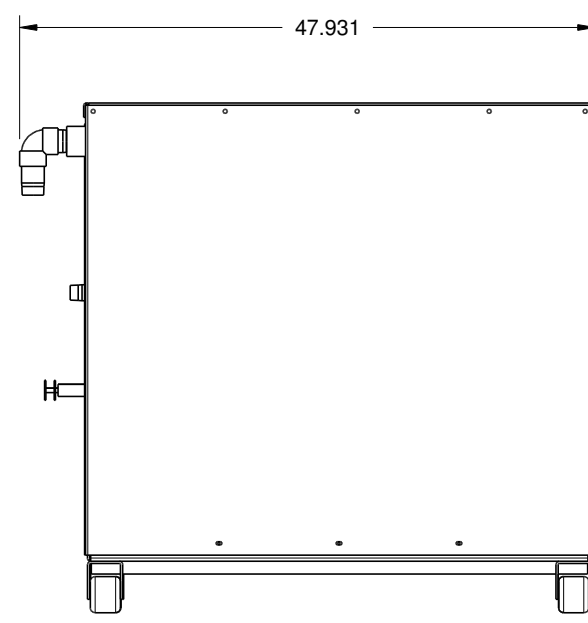
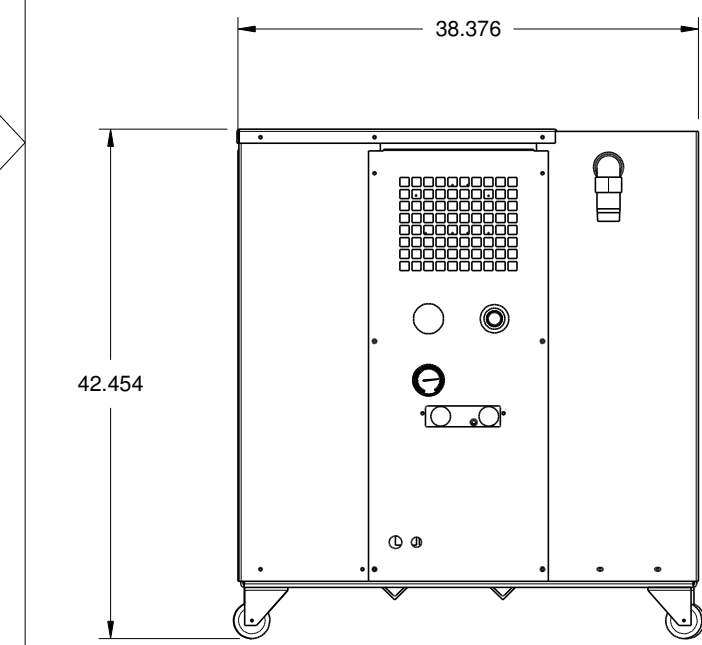
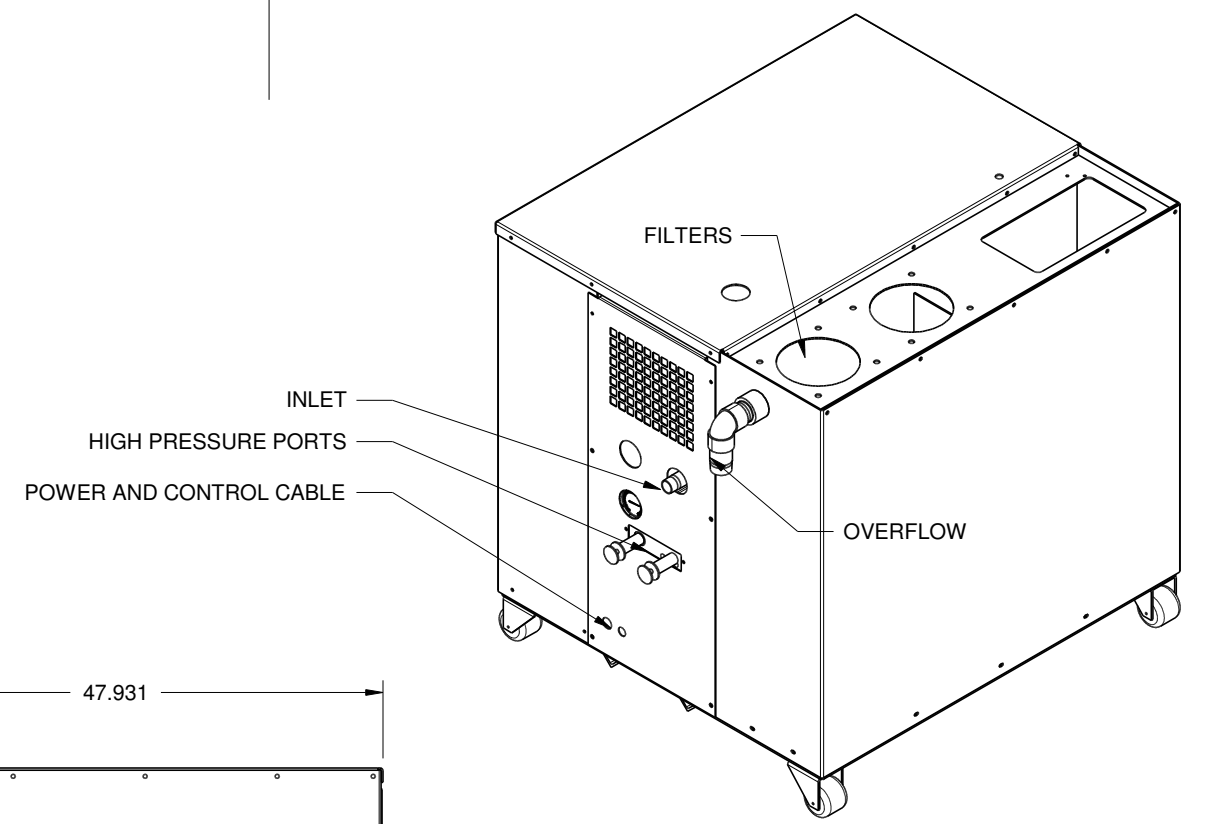


208-230/480 VAC
28-26/14



REVISIONS				
ZONE	REV	DESCRIPTION	DATE	APPROVED



	DRAWN cb	DATE 10/6/11	RT FLOOR PLAN			
	CHECKED	MPSystems				
	QA					
	MFG		SIZE B	FSCM NO.	DWG NO.	REV
	APPROVED		SCALE			SHEET

