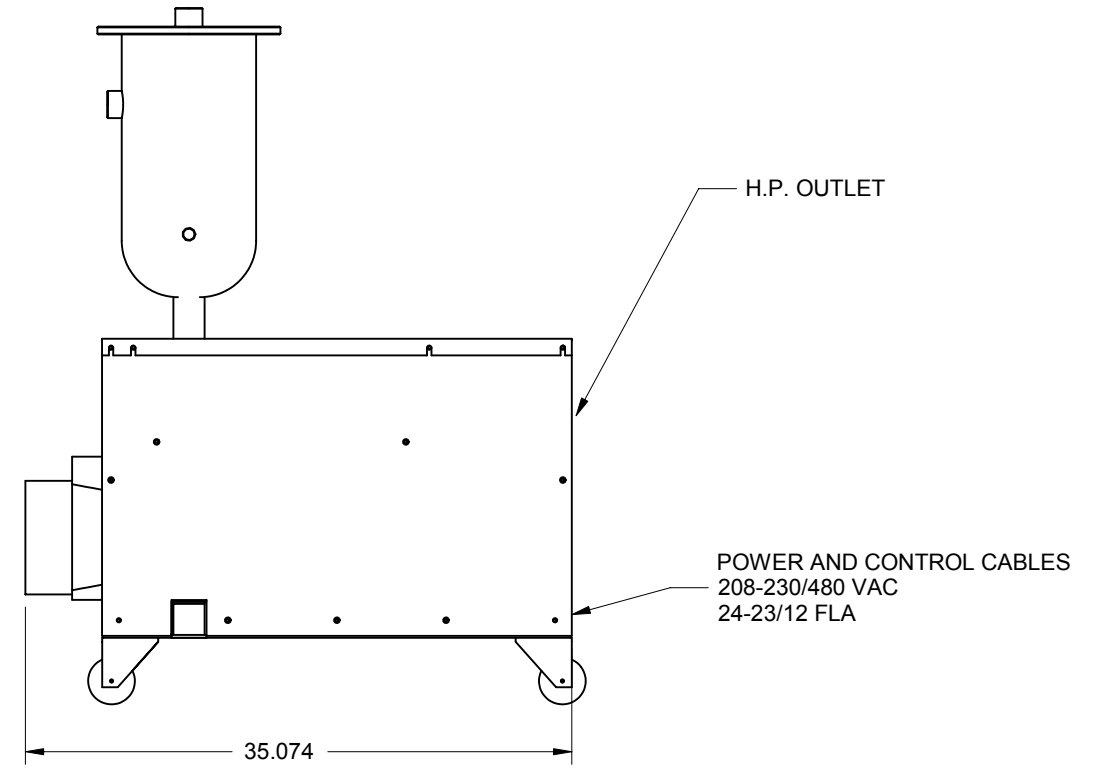
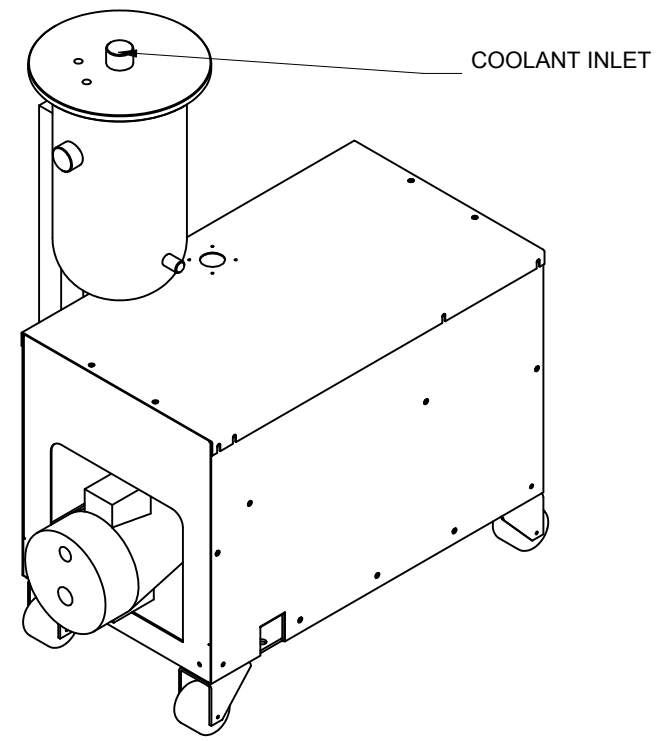
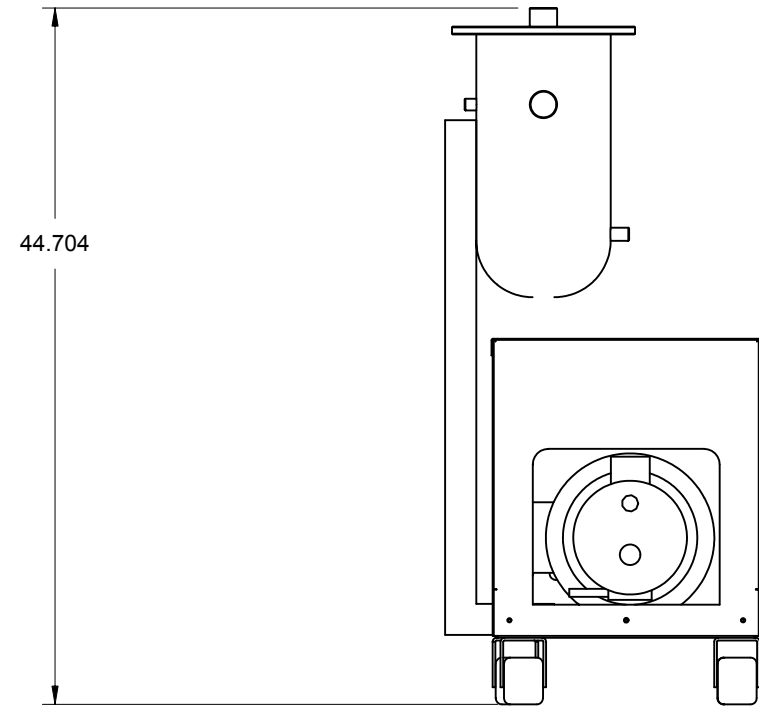
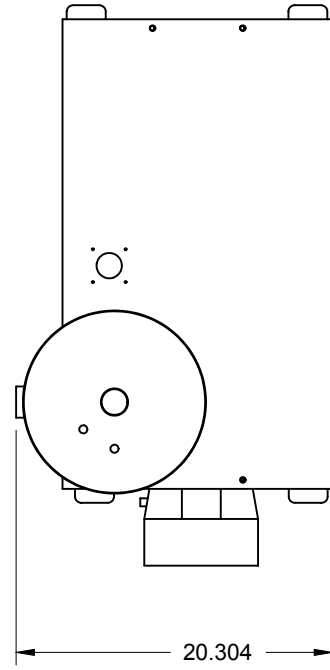


SOME BENDING ROOM MUST BE LEFT FOR HOSES



		<b>MPsystems</b> SIMSBURY CT. 860 656 6909 M-P-systems.com		<b>MP-A LAYOUT</b>	
SIZE	DATE	DWG NO.		REV	
<b>B</b>					
SCALE		DRAWN		SHEET 1 of	
		M SAYERS			