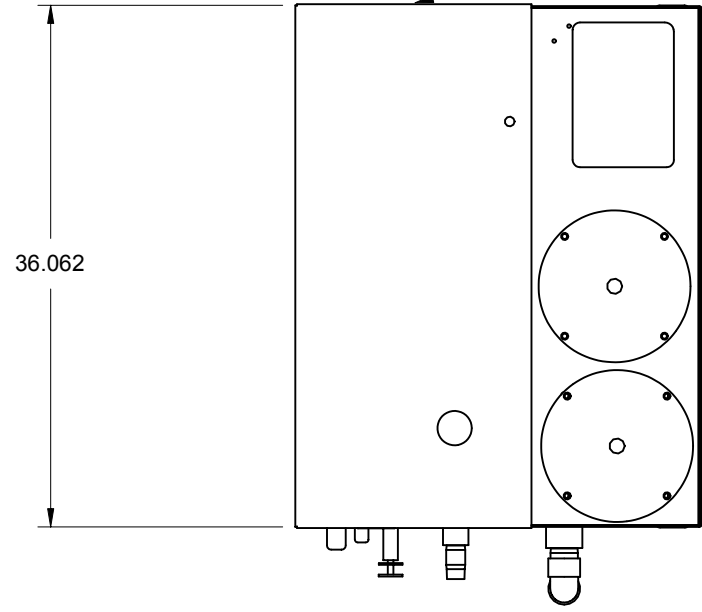
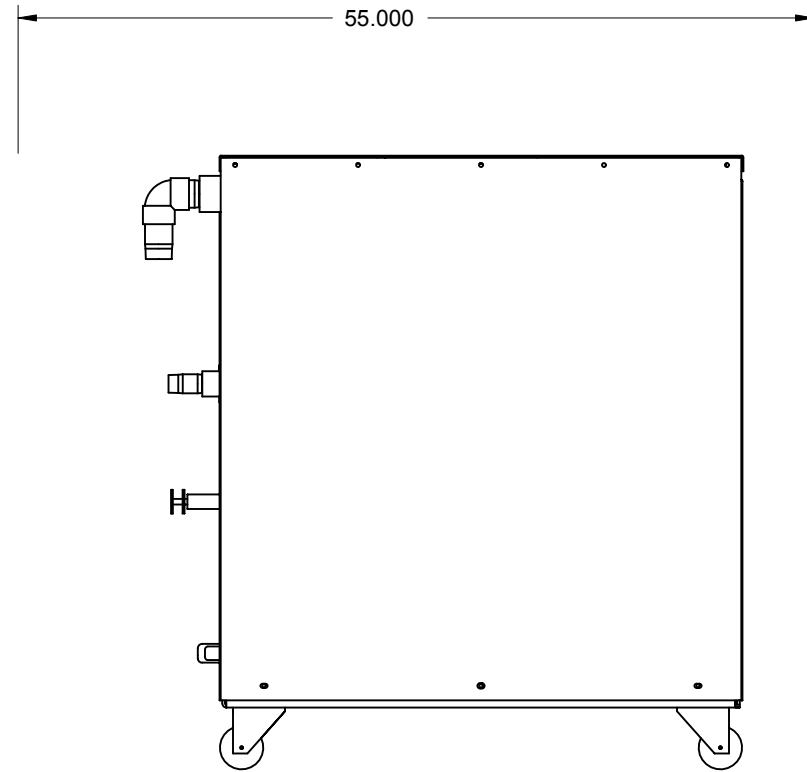
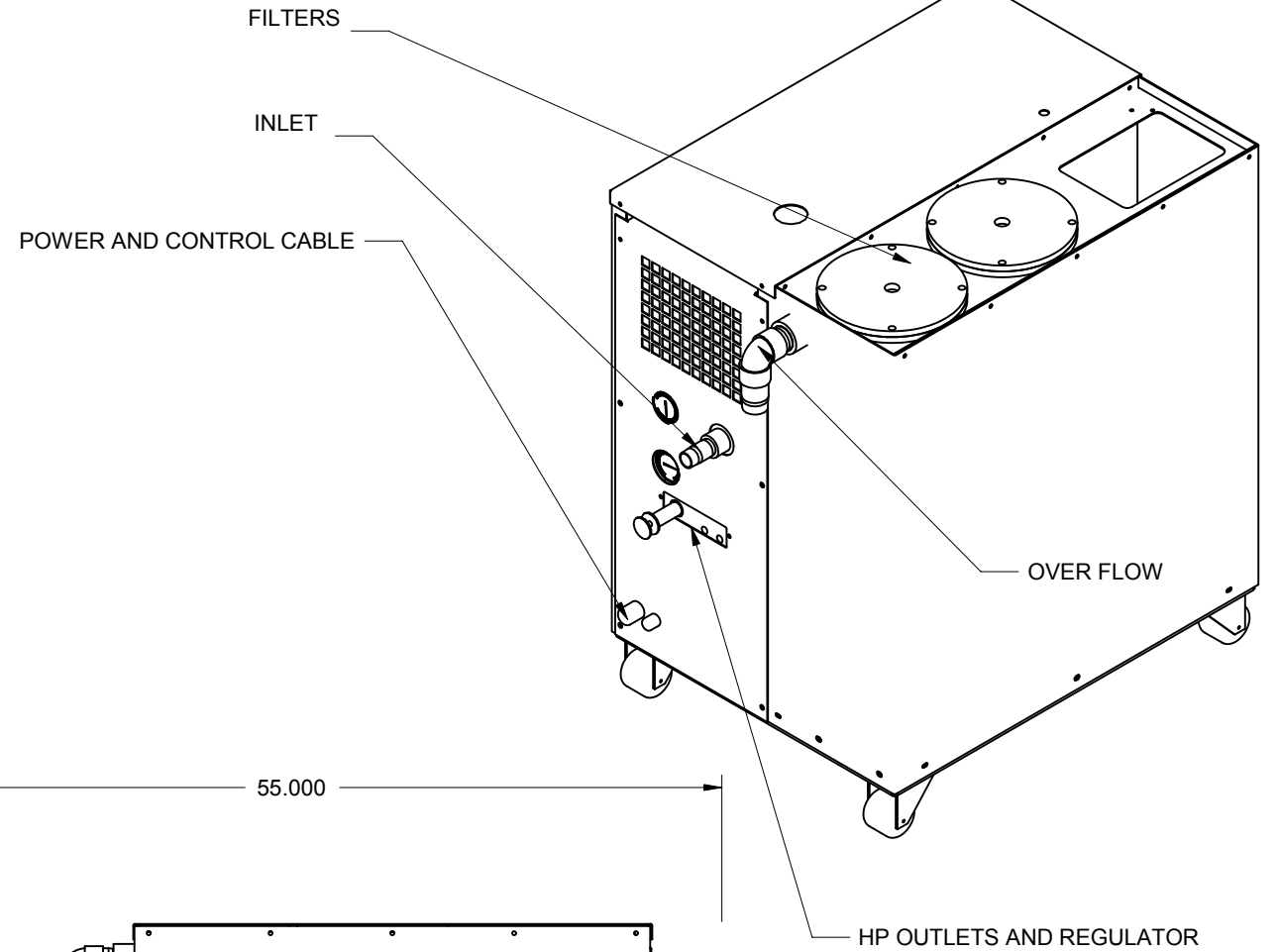
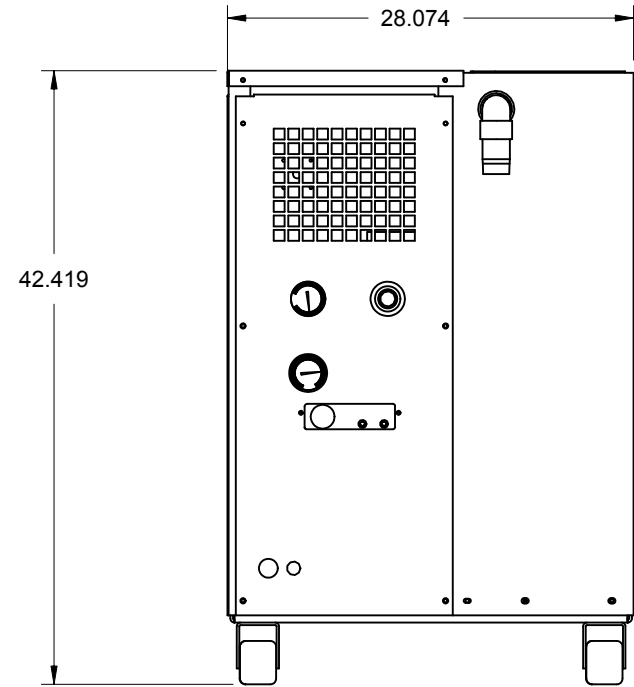


POWER SWITCH AND CONTROL DISPLAY PANEL



208-230/480 VAC
28-26/14 FLA



| | | | | | |
|----------|----------|---|------|-------------------|--|
| | | MPsystems simsbury ct 860 656 6909 M-P-systems.com | | MPB LAYOUT | |
| SIZE | DATE | DWG NO. | REV | | |
| B | 3-10-07 | 1063 | | | |
| SCALE | DRAWN | SHEET | 1 of | | |
| | M SAYERS | | | | |